

Operating Instructions

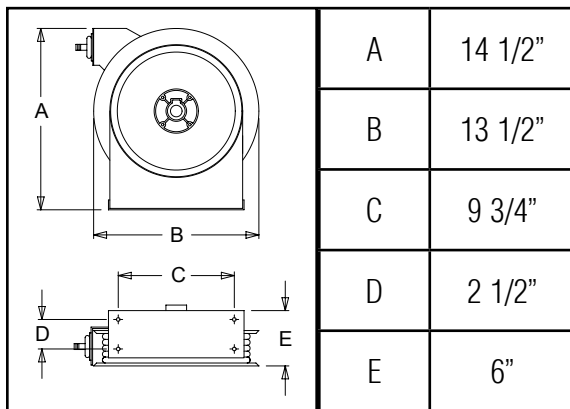
Series TH5000 Spring Driven Hose Reels

Medium Pressure Model Numbers:

[TH5400 OMP](#) [TH5425 OMP](#) TH5400 OMPSW74



Dimensions



Four 5/16" diameter mounting holes

SAFETY

1. Do not use reel at higher pressures or temperatures than listed on the back of this bulletin.
2. Remove all spring tension before beginning disassembly process.

INSTALLATION: A flexible hose connection must be used between the hose reel inlet and the source of supply to prevent possible misalignment and binding.

MOUNTING: The hose reel is equipped with a universal mounting bracket so that it can be mounted on the floor, wall or ceiling; whichever place is convenient. The hose guide arm can be moved to the position desired by removing the screws fastening the guide bracket to the reel base. Shift the guide arm bracket so the hose comes off the reel at the desired position and replace the screws. **NOTE:** For proper installation in wall mount applications, ensure reel is mounted with inlet on the right as you are facing the reel. Failing to do so could cause latching issues.

LUBRICATION: Hose reel spring and bearings are factory lubricated and require no further lubrication.

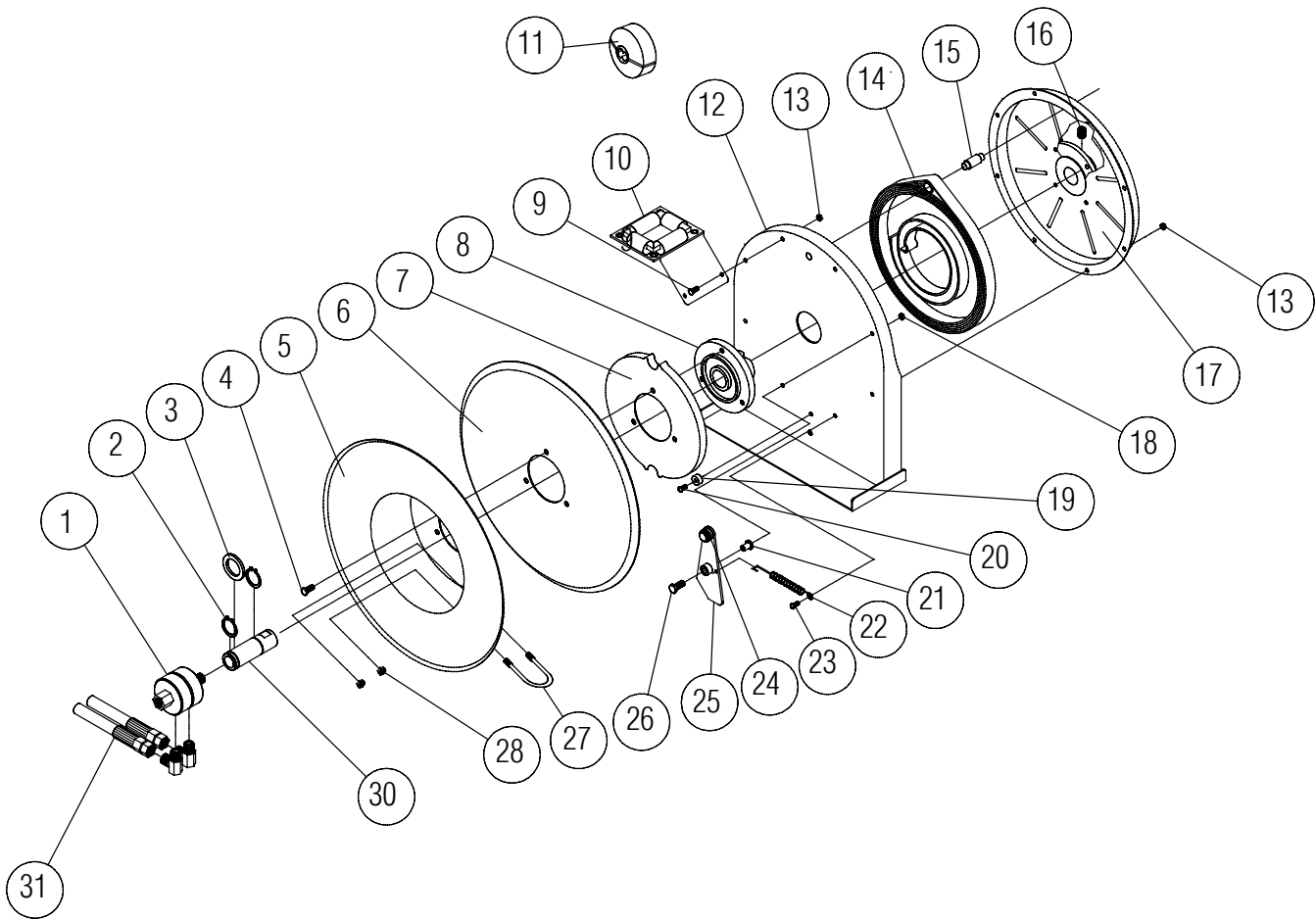
REPLACING HOSE:

1. Wind spool flange clockwise-facing swivel-until spring is tight.
2. Back off three turns and latch.
3. Insert hose through roller guide.
4. Connect hose fitting to swivel joint and secure hose with clamps.

ADJUSTMENTS: To adjust spring tension, add or remove wraps of hose from the spool, one wrap at a time until desired tension is obtained.

REPAIRS: Extensive repairs should be performed only by an authorized serviceman or factory to avoid damage which may void your warranty. Remove all spring tension before beginning disassembly process.

Form# 1150-1003 Rev: 8/2018



Item #	Part #	# Req.	Description	Item #	Part #	# Req.	Description
1	S600996-1	1	Swivel Assembly	17	S500103	1	Spring Case & Hub Assembly
2	300031	2	1" Snap Ring	18	S82-15	1	10-32 x 3/8" Nyloc Nut
3	300034	2	Spacing Washer	19	S400021	1	Latch Bumper
4	S295-102	3	Self Tap Screw Plastite	20	S32-136	1	10-24 x 3/8" Screw
5	260022	1	Reel Sheave	21	S400012	1	Latch Bushing
6	500006	1	Reel Sheave Disk	22	S400018	1	Latch Spring
7	S500019	1	Latch Cam	23	300001	5	10-32 x 3/8" Mach. Screw
8	S260648	1	Spring Arbor	24	400020	1	O'Ring
9	300002	2	10-32 x 1/2" Machine Screw	25	S400109	1	Latch Plate Assembly
10	S500107	1	Guide Arm & Roller Assembly	26	300035	1	10-32 x 1" Machine Screw
12	500101	1	Base Assembly	27	1-117440	1	U-Bolt Hose Clamp
13	S300011	7	10-32 Hex Nut	28	300070	2	1/4-20 Nyloc Nut
14	S507287	1	Drive Spring Assembly	29	300039	2	Washer
15	S261360	1	Spring Case Stud	30	602306	1	Main Shaft
16	300006	1	3/8-16 x 1/2" Set Screw				

**Parts common to
TH5400 OMP SW74 Reels**

Item #	Description	TH5400 OMP	TH5425 OMP
11	Bumper Stop Assembly	None	8-HR1004-3
31	Hose Assembly	None	600669-3
--	Hose I.D. & Length	None	1/4" x 25'
--	Reel Inlet Connection	1/4" F.P.T.	1/4" F.P.T.
--	Max. Operating Pressure	200 P.S.I.	200 P.S.I.

Item #	Description	# Req.	Part #
5	Flange, Sheave	1	260022-40
6	Disc, Sheave	1	500006-40
10	Guide Arm Assembly	1	500107-39
12	Base Assembly	1	500101-39
17	Springcase Assembly	1	S500103-40