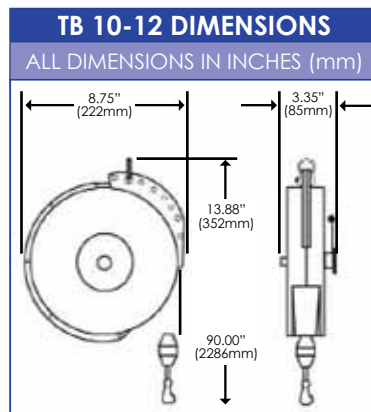
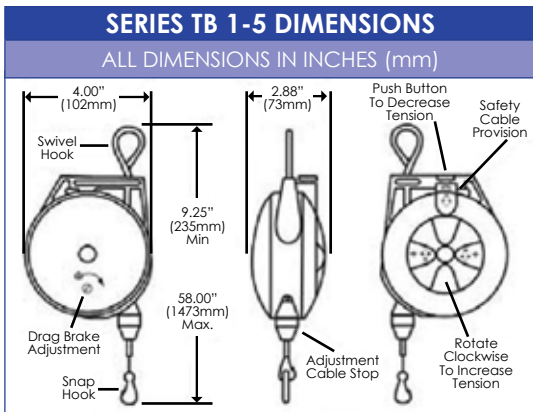


# Tool Balancers

Tool balancers make tools nearly weightless, reducing operator fatigue. Improve safety and ergonomics and help prevent tools from being accidentally dropped, reducing tool damage

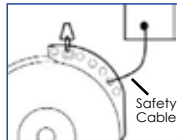
## TOP FIVE BENEFITS

1. Balances the weight of assembly tools, making them nearly weightless.
2. Reduces operator fatigue.
3. Improves safety and ergonomics.
4. Increases productivity, keeps tools positioned for immediate use with minimal operator motion.
5. Reduces tool damage, prevents tools from being accidentally dropped.



TOOL BALANCERS - Medium Duty Selection Chart						
Model	Min - Max Load		Cable Length		Reel Weight	
	lbs	kg	ft	m	lbs	kg
TB 01	0.0 - 1.5	0.0 - 0.7	6	1.8	1.0	0.5
TB 03	1.5 - 3.0	0.7 - 1.4	6	1.8	1.0	0.6
TB 05	3.0 - 5.0	1.4 - 2.3	6	1.8	1.5	0.7

\* Cable lengths listed are "active" or "working" cable. Safety tool clip and cable stop included.



Strongly recommended, secondary street cable or steel link chain. Prevents balancer from accidental fall. Balancers have extra holes for cable or chain.

OVERHANG CABLE	
Model No.	Length
600605-3	3.0 ft / 91.5cm
600605-5	5.0 ft / 152.4cm

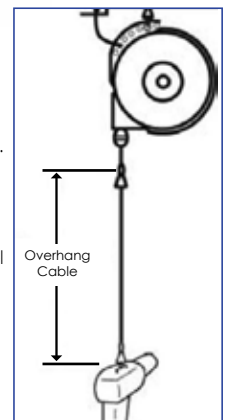
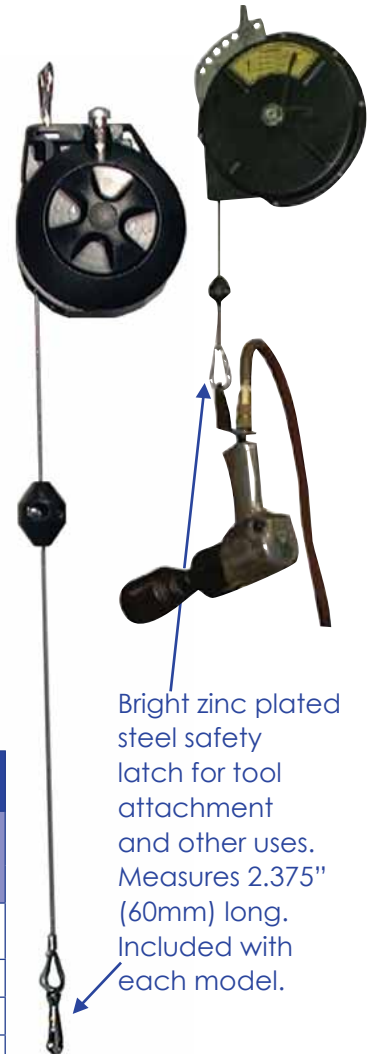
  

SAFETY CABLE/CHAIN	
Model No.	Length
600603*	1.0 ft / 30.5cm
600604**	1.0 ft / 30.5cm

\* Nylon covered steel cable (1 to 5lbs models)  
\*\* Steel link chain (10 to 23lbs models)

TOOL BALANCERS - Heavy Duty Selection Chart							
Model	Min - Max Load		Cable Length		Reel Weight		Ratchet Lock
	lbs	kg	ft	m	lbs	kg	
<b>Constant pull reels</b> - may be adjusted to balance through 6-18 in (152-45/mm) range							
TB 10	5.0 - 10	0.0 - 0.7	8	2.4	10	4.5	NO
TB 12	8.0 - 12	0.7 - 1.4	8	2.4	10	4.5	NO
TB 15	10 - 15	4.5 - 6.8	8	2.4	10	4.5	
TB 23	16 - 23	7.2 - 10.4	8	2.4	10	4.5	
<b>Ratchet lock reels</b> - retract tool upward when manually released							
TBL 10	5.0 - 10	0.0 - 0.7	8	2.4	6	2.7	YES
TBL 12	8.0 - 12	0.7 - 1.4	8	2.4	7	3.1	YES
TBL 15	10 - 15	4.5 - 6.8	8	2.4	8	3.6	YES
TBL 23	16 - 23	7.2 - 10.4	8	2.4	8	3.6	YES

\* Cable lengths listed are "active" or "working" cable. Safety tool clip and cable stop included.



Nylon covered steel cable with safety clip. Brings tools closer to work areas without unwinding cable from reel or mounting reel at lower height.

