

Stainless Steel Spring Rewind Reels



The SS Series of reels are manufactured in Europe from high quality 304 stainless steel with either a full brass swivel or 316 stainless steel giving you the best of both worlds. The SS reels are ideal for applications such as wash down in the food industry, marine applications and in other corrosive environments. The reels have a welded spool and frame design with an electro-polished finished to give long lasting surface protection and aesthetic appeal.

Model No	Hose ID	Hose Length	Working Pressure (psi)	Inlet Fitting	Outlet Fitting	Working Temperature
Spring rewind reels brass swivel low pressure						
SS27010	10-mm	15-m	290	3/8" BSPF	3/8" BSPF	99°C
SS30210	10-mm	18-m	290	3/8" BSPF	3/8" BSPF	99°C
SS35210	10-mm	20-m	290	3/8" BSPF	3/8" BSPF	99°C
SS43210	12-mm	15-m	290	1/2" BSPF	1/2" BSPF	99°C
SS53210	12-mm	25-m	290	1/2" BSPF	1/2" BSPF	99°C
SS54216	12-mm	30-m	290	1/2" BSPF	1/2" BSPF	99°C
SS56216	12-mm	60-m	290	1/2" BSPF	1/2" BSPF	99°C
SS54210	19-mm	20-m	290	3/4" BSPF	3/4" BSPF	99°C
SS56210	19-mm	40-m	290	3/4" BSPF	3/4" BSPF	99°C
SS54213	25-mm	15-m	290	1" BSPF	3/4" BSPF	99°C
SS56215	25-mm	30-m	290	1" BSPF	3/4" BSPF	99°C
Spring rewind reels stainless steel swivel low pressure						
SS30240	10-mm	12-m	1450	1/2" BSPF	1/2" BSPF	150°C
SS35240	12-mm	10-m	1450	1/2" BSPF	1/2" BSPF	150°C
SS43220	12-mm	15-m	1450	1/2" BSPF	1/2" BSPF	150°C
SS53220	12-mm	25-m	1450	1/2" BSPF	1/2" BSPF	150°C
SS54226	12-mm	30-m	1450	1/2" BSPF	1/2" BSPF	150°C
SS56229	12-mm	60-m	1450	1/2" BSPF	1/2" BSPF	150°C
SS54223	19-mm	20-m	1450	3/4" BSPF	3/4" BSPF	150°C
SS56420	19-mm	40-m	1450	3/4" BSPF	3/4" BSPF	150°C
SS54221	25-mm	15-m	1450	1" BSPF	3/4" BSPF	150°C
SS56225	25-mm	30-m	1450	1" BSPF	3/4" BSPF	150 C



Model No	Hose ID	Hose Length	Working Pressure (psi)	Inlet Fitting	Outlet Fitting	Working Temperature
Spring rewind reels stainless steel swivel medium pressure						
SS30230	8-mm	12-m	2900	3/8" BSPF	3/8" BSPF	150°C
SS35230	8-mm	17-m	2900	3/8" BSPF	3/8" BSPF	150°C
SS43230	10-mm	18-m	2900	3/8" BSPF	3/8" BSPF	150°C
SS53230	10-mm	25-m	2900	3/8" BSPF	3/8" BSPF	150°C
SS54230	10-mm	30-m	2900	3/8" BSPF	3/8" BSPF	150°C
SS56230	10-mm	50-m	2900	3/8" BSPF	3/8" BSPF	150°C
Spring rewind reels stainless steel swivel high pressure						
SS30235	8-mm	12-m	5800	3/8" BSPF	3/8" BSPF	150°C
SS35235	8-mm	17-m	5800	3/8" BSPF	3/8" BSPF	150°C
SS43235	10-mm	18-m	5800	3/8" BSPF	3/8" BSPF	150°C
SS53235	10-mm	25-m	5800	3/8" BSPF	3/8" BSPF	150°C
SS54435	10-mm	30-m	5800	3/8" BSPF	3/8" BSPF	150°C
SS56435	10-mm	50-m	5800	3/8" BSPF	3/8" BSPF	150°C

Optional extras:
Swivel wall mount

Part No 43006 suits models 270, 300, 350, 430 only

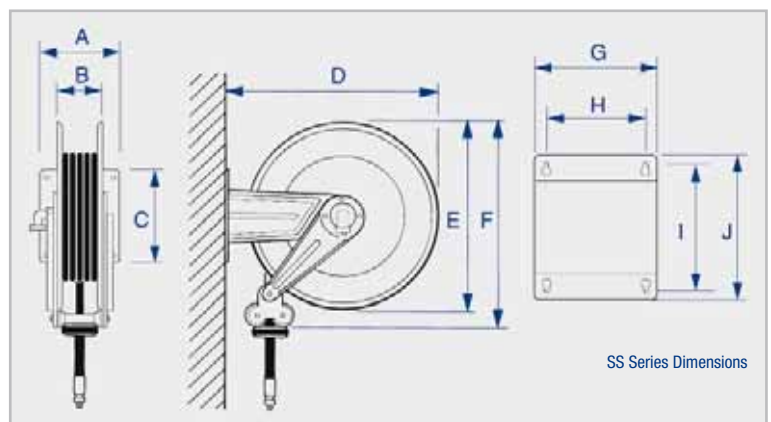
Fixed quick mount bracket

Part No 43002 suits models 270, 300, 350, 430

Part No 53002 suits models 530 only

Part No 54002 suits models 540 only

Part No 56002 suits models 560 only



SS Series Dimensions

Dimensions - mm

Model No	A	B	C	D	E	F	G	H	I	J
SS270XX	186	110	226	320	300	310	186	140	196	226
SS300XX	186	110	226	365	350	355	186	140	196	226
SS350XX	186	110	226	410	390	400	186	140	196	226
SS430XX	186	115	226	460	420	450	186	140	196	226
SS530XX	203	115	258	560	510	550	203	153	220	258
SS540XX	300	190	268	573	510	550	300	218	228	268
SS560XX	488	368	272	578	510	552	488	399	238	272

Note:

Reels are supplied standard without hose and hose stopper.