

**AVAILABLE
MARCH 2007!**



Spring Driven Air/Water/Oil/Grease Series DP7000 - 1/4", 3/8", 1/2" I.D.

A breakthrough in dual pedestal base design, Reelcraft Industries now offers the stability of a dual pedestal reel in a superbly engineered and extremely compact, yet strong design. Reelcraft's new DP7000 Series features our patented interlocking base design, which makes the base assembly especially strong and resistant to vibration. Independent testing has proven these reels to stand up to heavy vibration, making them ideal for truck mounted applications.

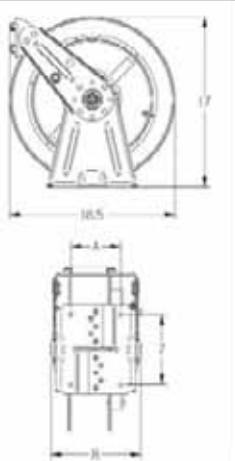
**Passed Military
Vibration for Truck
Transport test.**

MIL-STD-810F
**500,000 mile
equivalent**



DP7650 OHP
Patent Pending

DIMENSIONS		
MODEL	A	B
	in / mm	in / mm
LOW PRESSURE REELS		
DP7450 OLP	4 102	8 204
DP7650 OLP	4 102	8 204
DP7850 OLP	5 127	9 229
MEDIUM PRESSURE REELS		
DP7650 OMP	4 102	8 204
DP7850 OMP	5 127	9 229
HIGH PRESSURE REELS		
DP7450 OHP	4 102	8 204
DP7650 OHP	4 102	8 204



FEATURES

- ✓ **Strength & Stability** Interlocking dual base and guide arms are stamped from heavy gauge industrial steel and engineered gussets throughout make these reels strong and vibration resistant.
- ✓ **Lightweight** Latch pawl, cam, and hubs are die-cast aluminum for superior strength and to eliminate excessive weight.
- ✓ **Superior Corrosion-Resistance** A double adhesive gasket seals the spring case and steel parts are powder coated to provide excellent protection against weathering.
- ✓ **Low Maintenance** A permanent oil impregnated bronze bushing and stainless steel torsion spring are incorporated to ensure that, through frequent use, these reels require minimal maintenance.
- ✓ **Ease of Operation** The latch pawl is mounted on the guide arm to prevent latch out at full extension and the high impact, nylon filled guide rollers make retraction and pay out nearly effortless.

MODELS WITH HOSE			HOSE CAPACITY					MODELS WITHOUT HOSE		
MODEL	WEIGHT	PRESSURE	I.D.	O.D.	(M)NPTF OUTLET	(F)NPTF INLET	LENGTH	MODEL	WEIGHT	PRESSURE
	lbs / kg	psi / bar							in / mm	in / mm
LOW PRESSURE AIR/WATER REELS			Maximum Temperature 150° F (65° C) w/hose / 210° F (99° C) w/o hose							
DP7450 OLP	46 21	300 21	1/4 6	.500 13	1/4	1/2	50 15	DP7400 OLP	42 19	500 35
DP7650 OLP	47 22	300 21	3/8 10	.688 18	1/4	1/2	50 15	DP7600 OLP	42 19	500 35
DP7850 OLP	50 23	300 21	1/2 13	.844 22	3/8	1/2	50 15	DP7800 OLP	43 20	500 35
MEDIUM PRESSURE OIL REELS			Maximum Temperature 210° F (99° C)							
DP7650 OMP	55 25	2250 158	3/8 10	.690 18	3/8	1/2	50 15	DP7600 OMP	45 21	3000 207
DP7850 OMP	57 26	2000 141	1/2 13	.815 21	1/2	1/2	50 15	DP7800 OMP	42 19	3000 207
HIGH PRESSURE GREASE REELS			Maximum Temperature 210° F (99° C)							
DP7450 OHP	57 26	5000 345	1/4 6	.590 17	1/4	1/2	50 15	DP7400 OHP	43 20	5000 345
DP7650 OHP	60 27	4000 276	3/8 10	.750 19	1/4	1/2	50 15	DP7600 OHP	46 21	5000 345