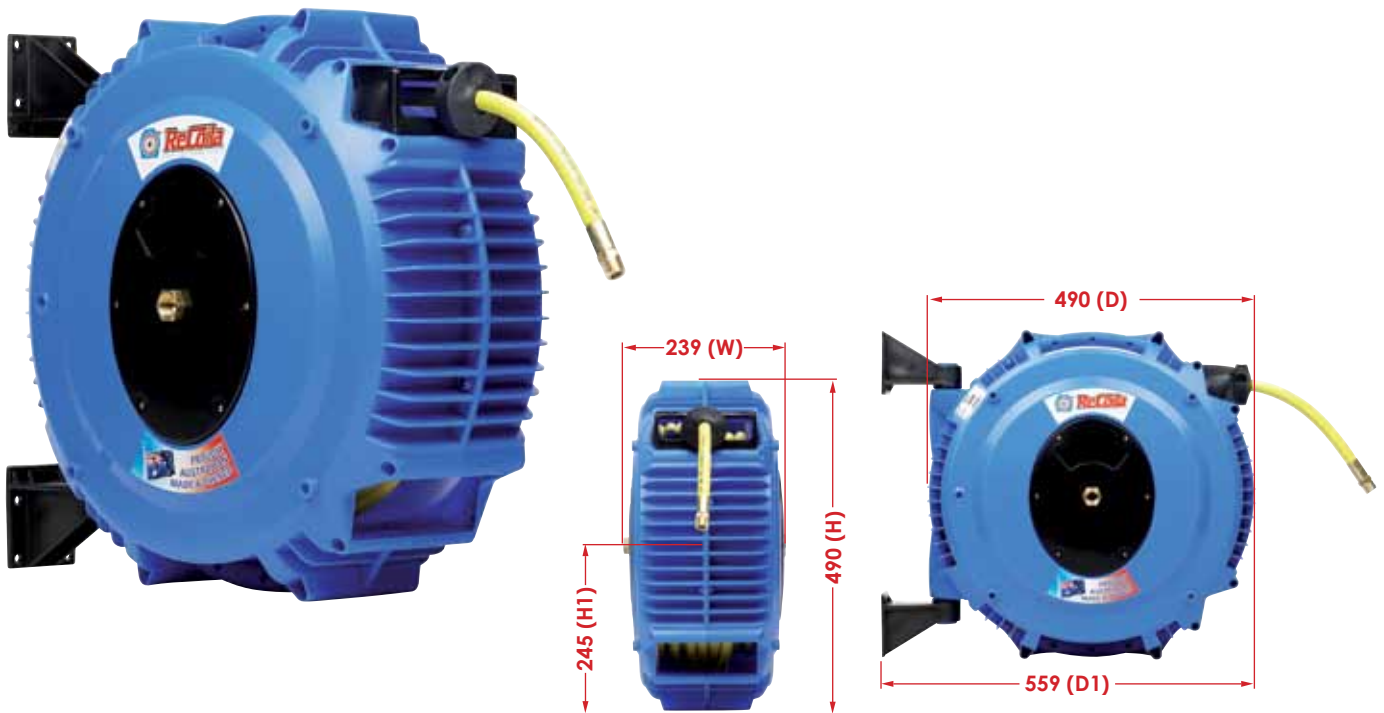


Breathing Air Reels

ReCoila® Gen III BD series reels are ideally suited for supplying breathing grade air to air fed respirators to better manage the supply hose, making it safer for the operator particularly in confined work areas. This reel is also used for shallow diving applications.

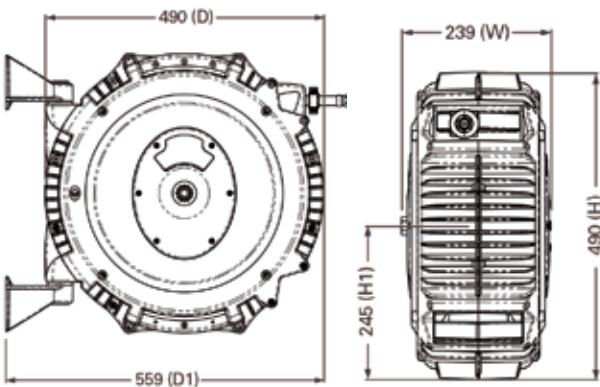
Model	Hose ID	Hose Length	Max PSI	Inlet Fitting	Outlet Fitting	Temp Range	Weight
BD820	8mm	20m	240	3/8" BSPF	3/8" BSPM	-5/+60°C	12Kg
BD1020	10mm	20m	240	3/8" BSPF	3/8" BSPM	-5/+60°C	12Kg



Gen III Features & Benefits

ReCoila® Gen III composite construction reels lead the world in design, functionality, reliability and innovative features.

ReCoila® was one of the first in the world to develop and manufacture composite spring rewind reels and today we continue to be world leaders.



- Up to a 5 year warranty
- Highest quality 'finished edge' spring steel strip
- Full flow swivels and fluid paths
- Positive crimp hose fittings
- All position positive latching system
- Tough, impact, corrosion resistant and UV stabilized polypropylene with anti static and flame retardants
- Unique ratchet tensioning system
- Heavy Duty wall mounting swivel system
- Replaceable protective mouth guard
- Large side covers for easy access in servicing and maintenance routines
- Food grade approved materials
- Unique service locking pin port for added safety
- Two part fully adjustable bumper
- Detailed operation and service manual
- Easy mount drill hole pattern supplied

