

Light Cord Reels

ReCoila® Gen IV L series reels are the perfect solution for the modern day workshop when portable light is required. Ideal applications are mechanical workshops, panel shops, motor and transmission overhaul facilities, maintenance applications.

The L series reels are supplied with a 1.8m inlet cable complete with plugs and light.

Model	Cable Length	No. Cores	Inlet	VAC	Amps	Outlet	Weight
L24032610	6m	2	Plug	240	10	Light	7.5Kg



Note:

Manufactured to AS.# N/S = Not supplied. Other voltages such as 110, 115, 220 VAC available on request. An inline transformer at the plug offers 32 VAC to the fluorescent light.



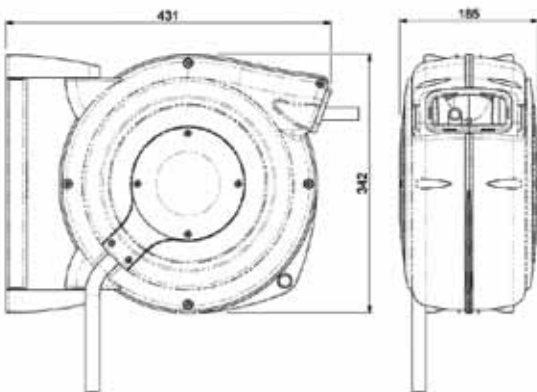
Gen IV Features & Benefits

ReCoila® Gen IV composite construction reels lead the world in design, functionality, reliability and innovative features at a very economical price.

ReCoila® was one of the first in the world to develop and manufacture composite spring rewind reels and today we continue to be world leaders.

The development of the Gen IV series follows on from the Gen III series and some 30 years of composite spring rewind reels manufacturing.

The Gen IV series is ideal for commercial and light duty applications.



L Series Dimensions

- Compact design
- Highest quality finished edge spring
- Full flow fluid paths (hose reels)
- Positive latching system allowing for all positional mounting
- Comprehensive 12 month warranty
- Unique reliable slip ring design (electrical reels)
- UV stabilized engineered composite construction
- Unique “sliding” swivel mounting bracket system
- Parallel input hose / cable connection for slimmer design and less stress on input hose or cable

