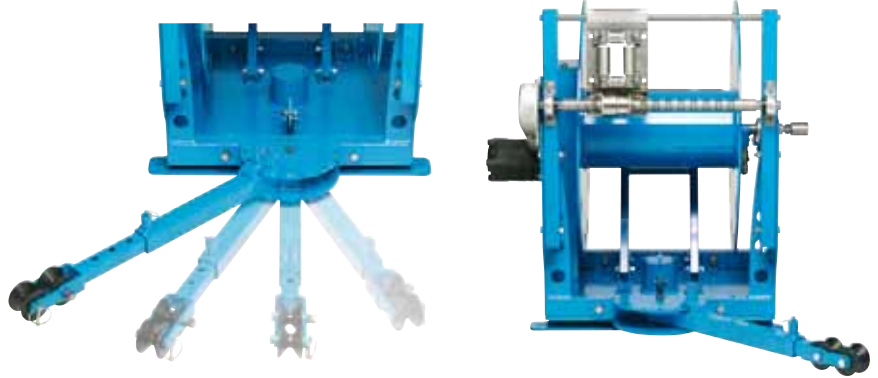


Pressure Washer Jetting Hose Reels



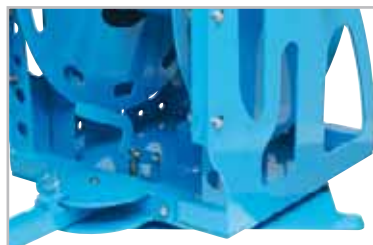
Jetting by nature requires the hose reel to perform like a winch, conventional reels are not designed to winch which usually results in buckled flanges, twisted and distorted spools. **ReCoila**® Jetting reels have been designed to overcome the stresses applied when retrieving the hose from a choked drain. Heavy duty welded spool and frames support the power drive system for an even controlled rewind but provide an almost free spool payout.

Optional extras such as level layer rewind systems allow the operator to stand clear of the hose reel and reduces operator fatigue. The swivel base allows for 360 degree rotation for easy drain penetration alignment as well as fine adjustment in those more difficult areas via the swing arm which adds further adjustment sideways and extension of the guide rolls.

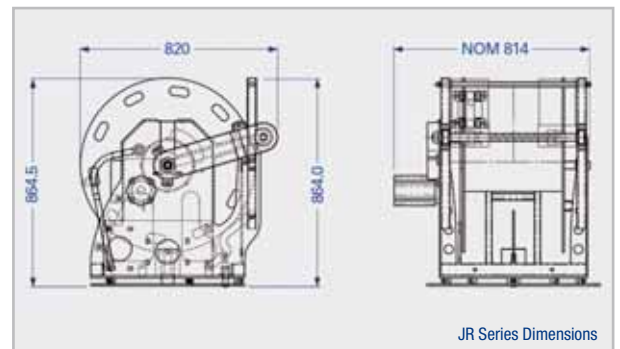
Model	Hose ID	Hose Length	Max PSI	Inlet Fitting	Outlet Fitting	Temp Range	Weight
Hydraulic direct drive models							
JH12140	1/2"	140-m	5000	1/2" BSPF	1/2" BSPF	-30/+90°C	*TBA
JH19120	3/4"	120-m	5000	3/4" BSPF	3/4" BSPF	-30/+90°C	*TBA
JH25180	1"	180-m	5000	1" BSPF	1" BSPF	-30/+90°C	*TBA
Electric chain and sprocket drive models							
JE12140	1/2"	140-m	5000	1/2" BSPF	1/2" BSPF	-30/+90°C	*TBA



Level layer
rewind system



Pivoting base



JR Series Dimensions

Note:

Dimensions supplied relate to the most common models JH12140 & JH19120 in the fully packaged version.

*TBA = To be advised pending configuration